

The general process of TABASCO

Bart Seghers

Outline

1. Introduction TABASCO
2. Aims and deliverables
3. Model
4. To do
5. Questions and feedback

Introduction TABASCO (1 of 2)

- Taxonomy BAsed Software COnstruction
 - Domain engineering method for ordering a problem domain (often algorithmic) using a taxonomy and constructing a Domain Specific Toolkit (DST) based on this taxonomy.

Introduction TABASCO (2 of 2)

1. Selection of a specific problem field
2. Literature survey
3. Taxonomy construction
4. Toolkit design
5. DSL design
6. Toolkit implementation
7. Benchmarking
8. DSL implementation

Aims and deliverables

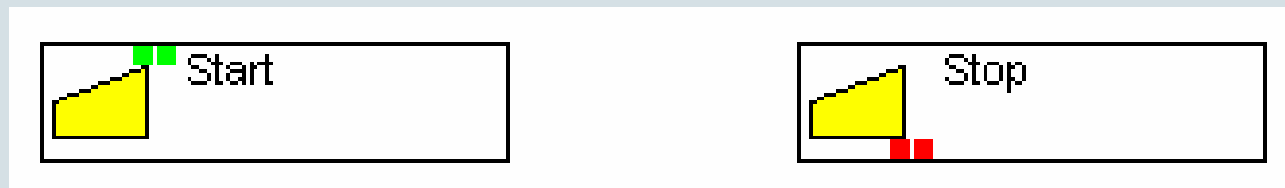
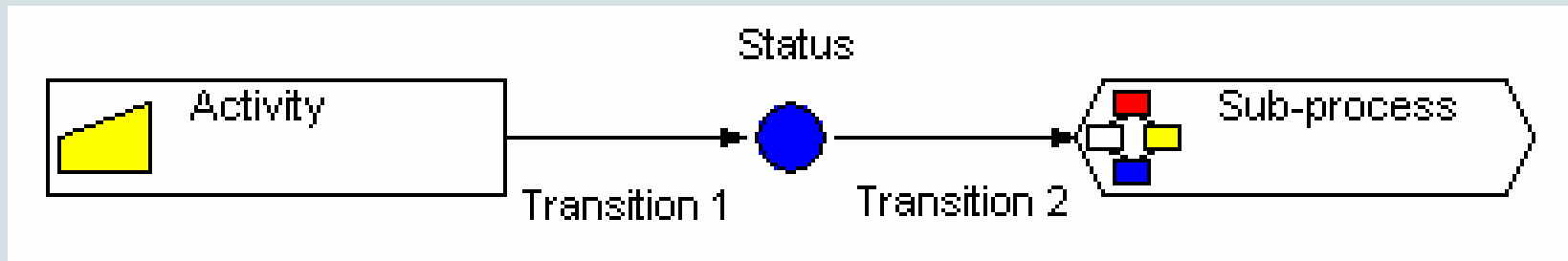
- Model global process TABASCO
- Common problems
- Framework

- Define activities in literature
- Model
- Case study
- Write paper and article

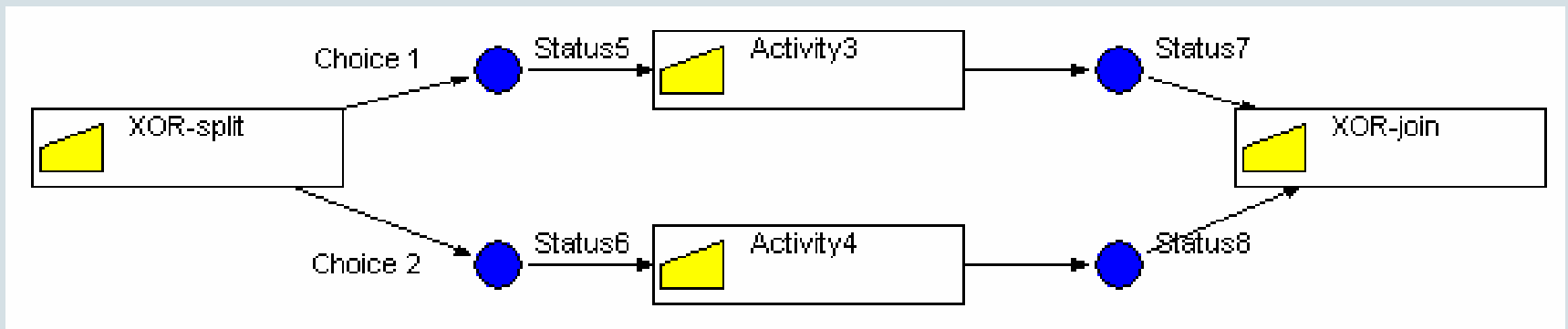
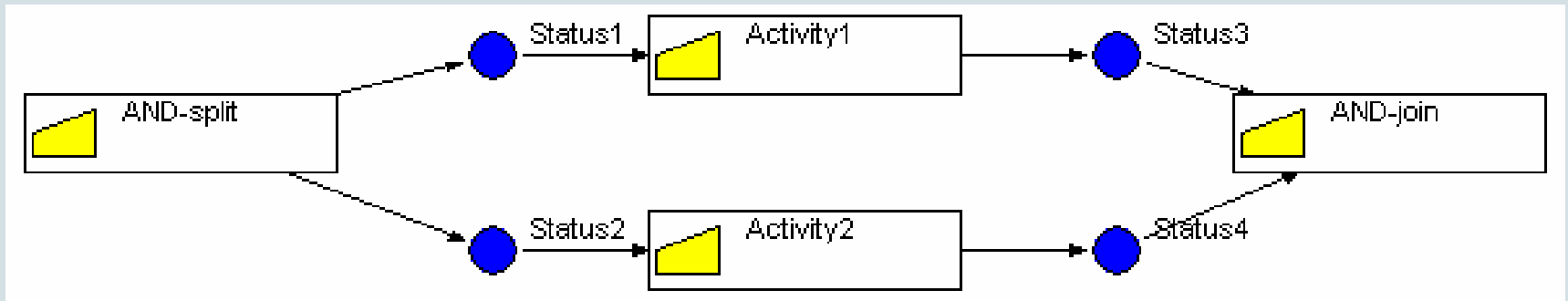
Model (1 of 6)

- High level petri nets
 - With hierarchy
 - Protos v7.0.0
- Extended with
 - Process description
 - Remarks

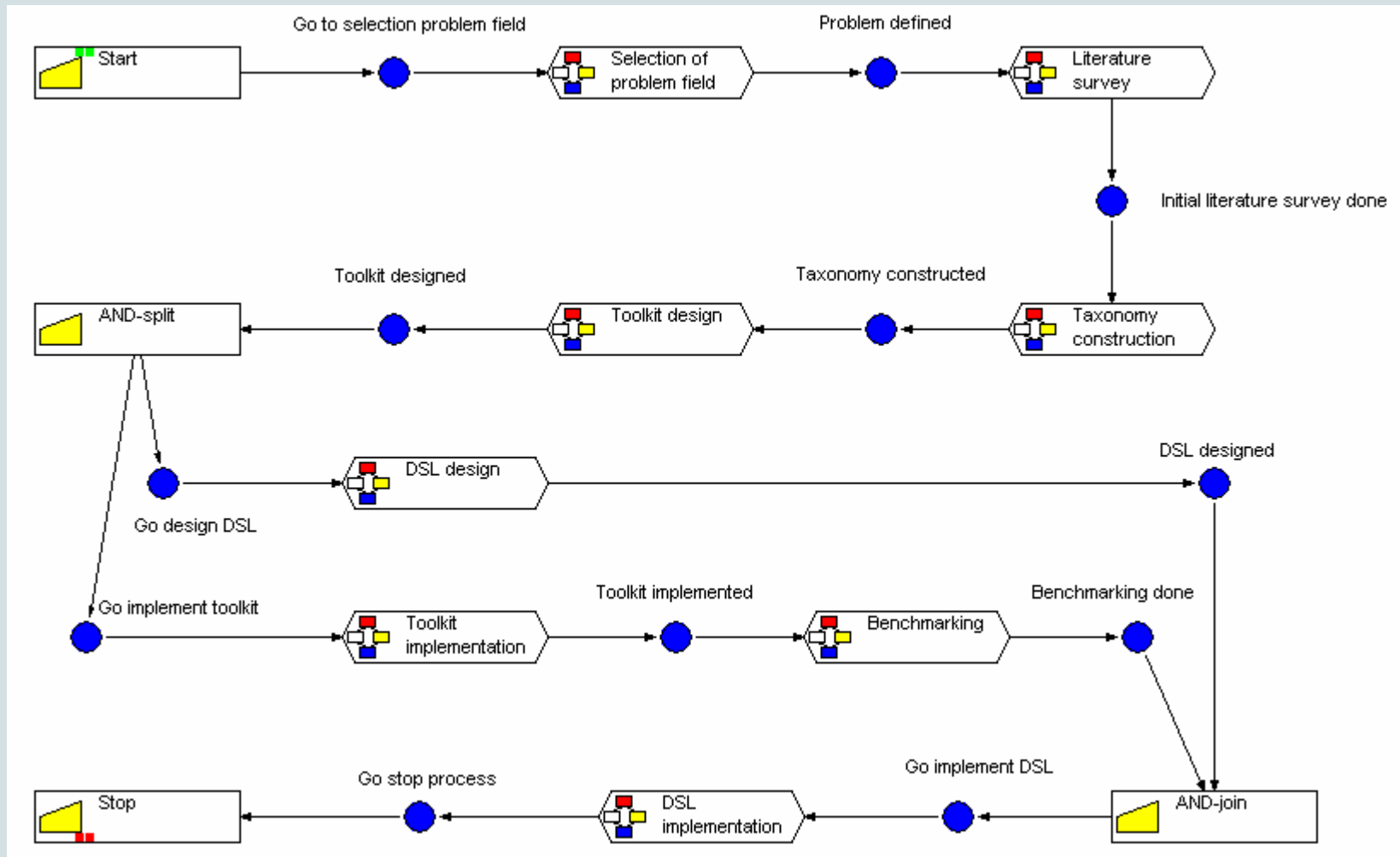
Model (2 of 6)



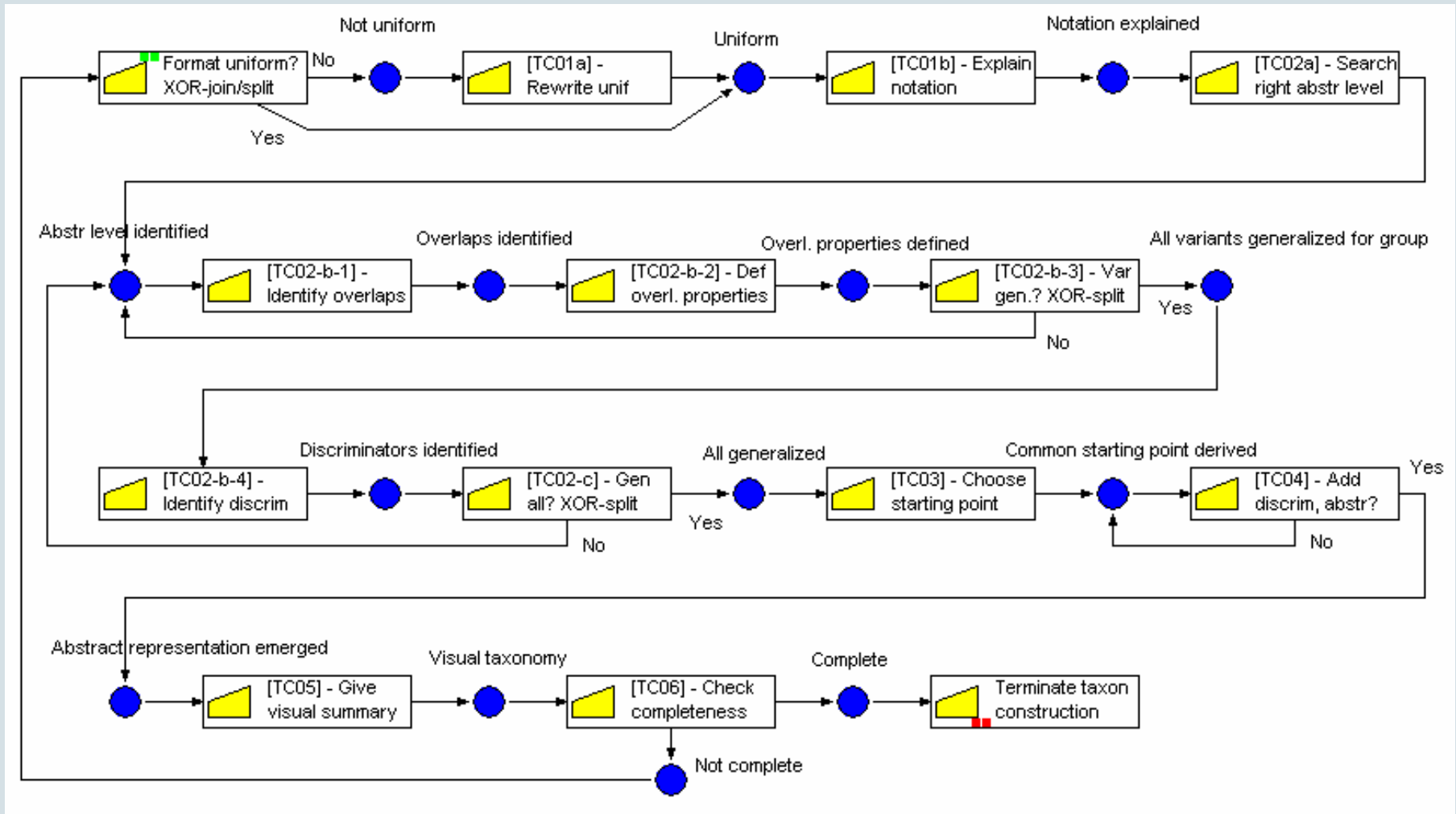
Model (3 of 6)



Model (4 of 6)



Model (6 of 6)



To do

- Review model
- Case study (on lattices)
- Write paper and article

Questions and feedback



E-mail: b.seghers@student.tue.nl